

**Food slicers**  
**300 mm Gravity Slicer, gear transmission**

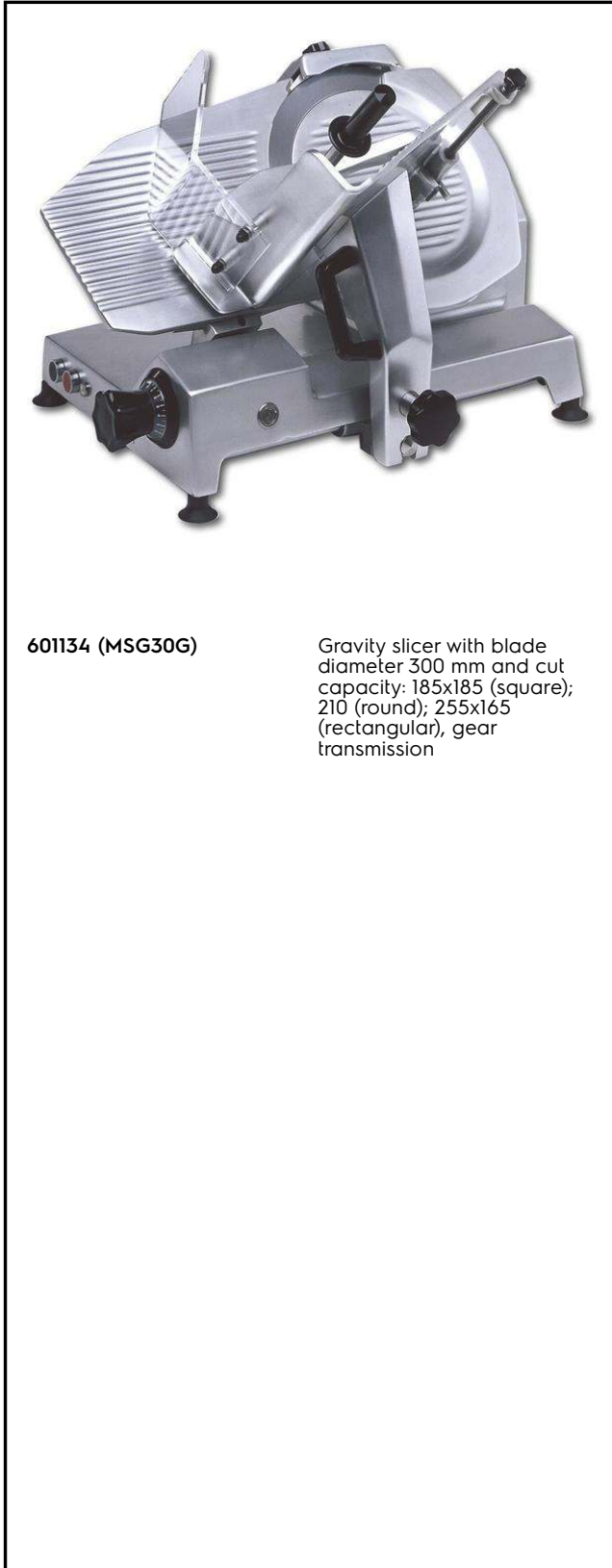
ITEM # \_\_\_\_\_

MODEL # \_\_\_\_\_

NAME # \_\_\_\_\_

SIS # \_\_\_\_\_

AIA # \_\_\_\_\_



601134 (MSG30G)

Gravity slicer with blade diameter 300 mm and cut capacity: 185x185 (square); 210 (round); 255x165 (rectangular), gear transmission

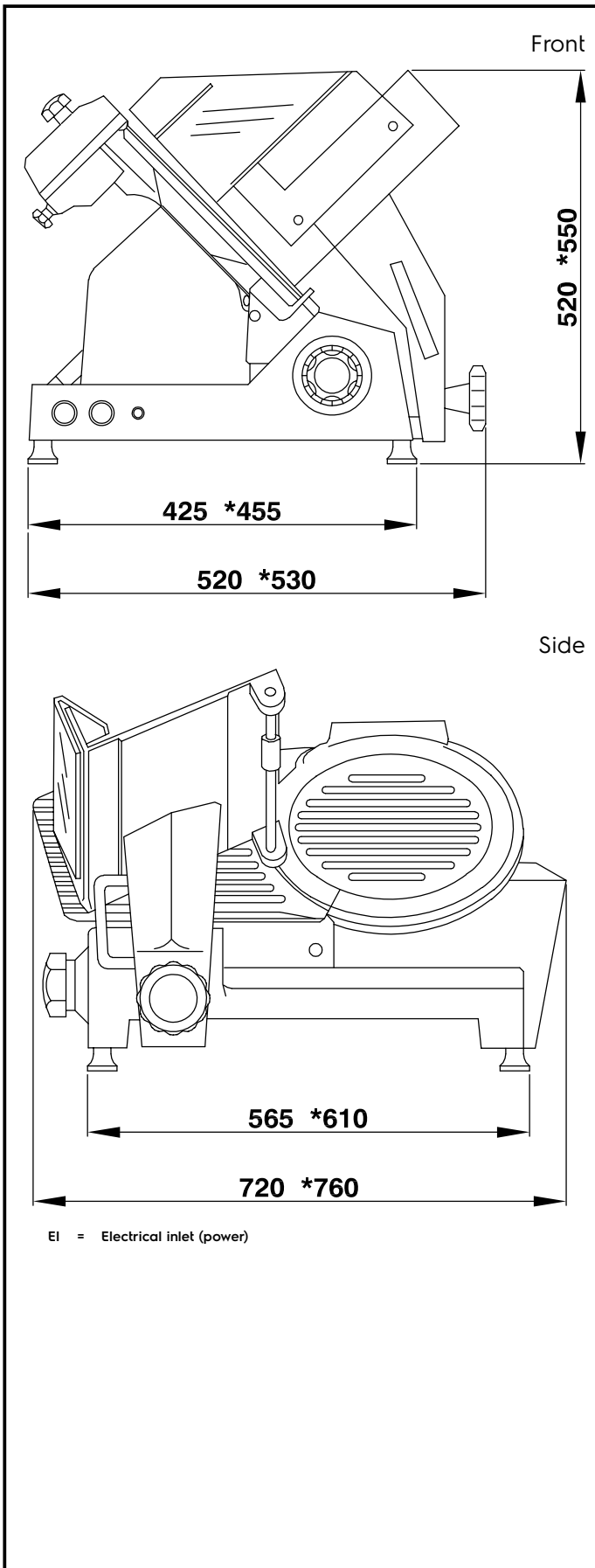
### Main Features

- Manual gravity slicer.
- Slice thickness from 0 to 24 mm.
- Cut thickness-adjusting knob (millimeter adjustment).
- Gear driven transmission permanently oil-lubricated.
- Ventilated blade drive motor designed for continuous use, with gear drive system for heavy and continuous daily operations.
- Removable carriage system permanently lubricated with automatic clutch.
- Top-mounted stone blade sharpener and cover blade easy to remove.
- Supplied with blade removal tool.
- Highest degree of safety in functioning, cleaning and maintenance.
- Cutting capacity for 300 model:
  - square: 185x185
  - rectangular: 255x165
  - round: 210

### Construction

- Compact design.
- Made in high polished satin finished anodized aluminium. This procedure guarantees high hygienic standards of the parts interested by the cut and resistance to acids, salts and oxidation processes.
- The blade is made of hollow ground hard chrome with blade guard ring for added protection.
- Plexiglass safety hand guard as standard.
- IP42 water protection.

APPROVAL: \_\_\_\_\_



**Electric**

Supply voltage: 230 V/1N ph/50 Hz  
Total Watts: 0.5 kW

**Key Information:**

External dimensions, Width: 720 mm  
External dimensions, Depth: 520 mm  
External dimensions, Height: 520 mm  
Net weight (kg): 36